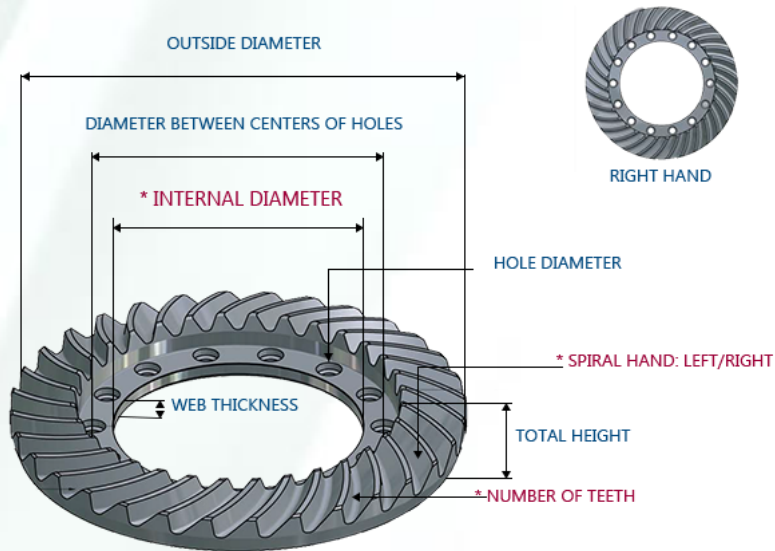
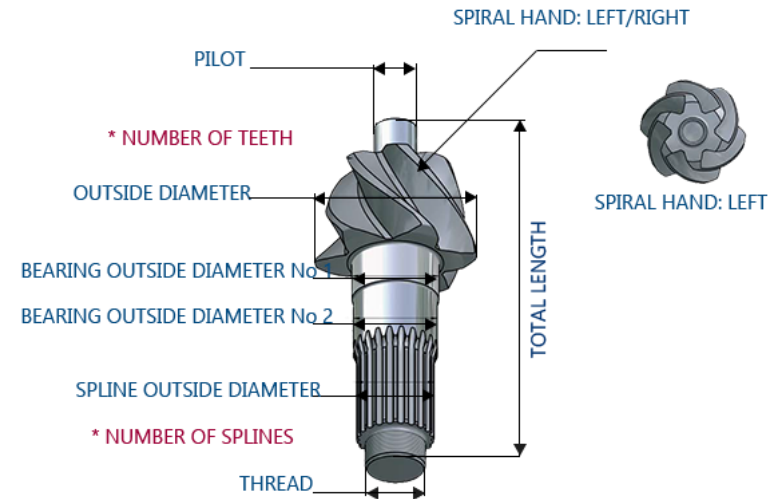


ORDER FORM

CROWN WHEEL BASIC DATA FOR IDENTIFICATION



PINION BASIC DATA FOR IDENTIFICATION



* MINIMUM REQUIRED INFORMATION FOR IDENTIFICATION

OUTSIDE DIAMETER..... HOLE DIAMETER

DIAMETER BETWEEN CENTERS OF HOLES.....

INTERNAL DIAMETER..... SPIRAL HAND.....

WEB THICKNESS.....

NUMBER OF TEETH.....

TOTAL HEIGHT.....

PILOT..... NUMBER OF SPLINES.....

NUMBER OF TEETH..... THREAD.....

OUTSIDE DIAMETER..... TOTAL HEIGHT.....

BEARING OUTSIDE DIAMETER NO.1

BEARING OUTSIDE DIAMETER NO.1

SPLINE OUTSIDE DIAMETER SPIRAL HAND.....



NAME..... TELEPHONE

COMPANY NAME..... EMAIL

ADDRESS

CUSTOMER DATA